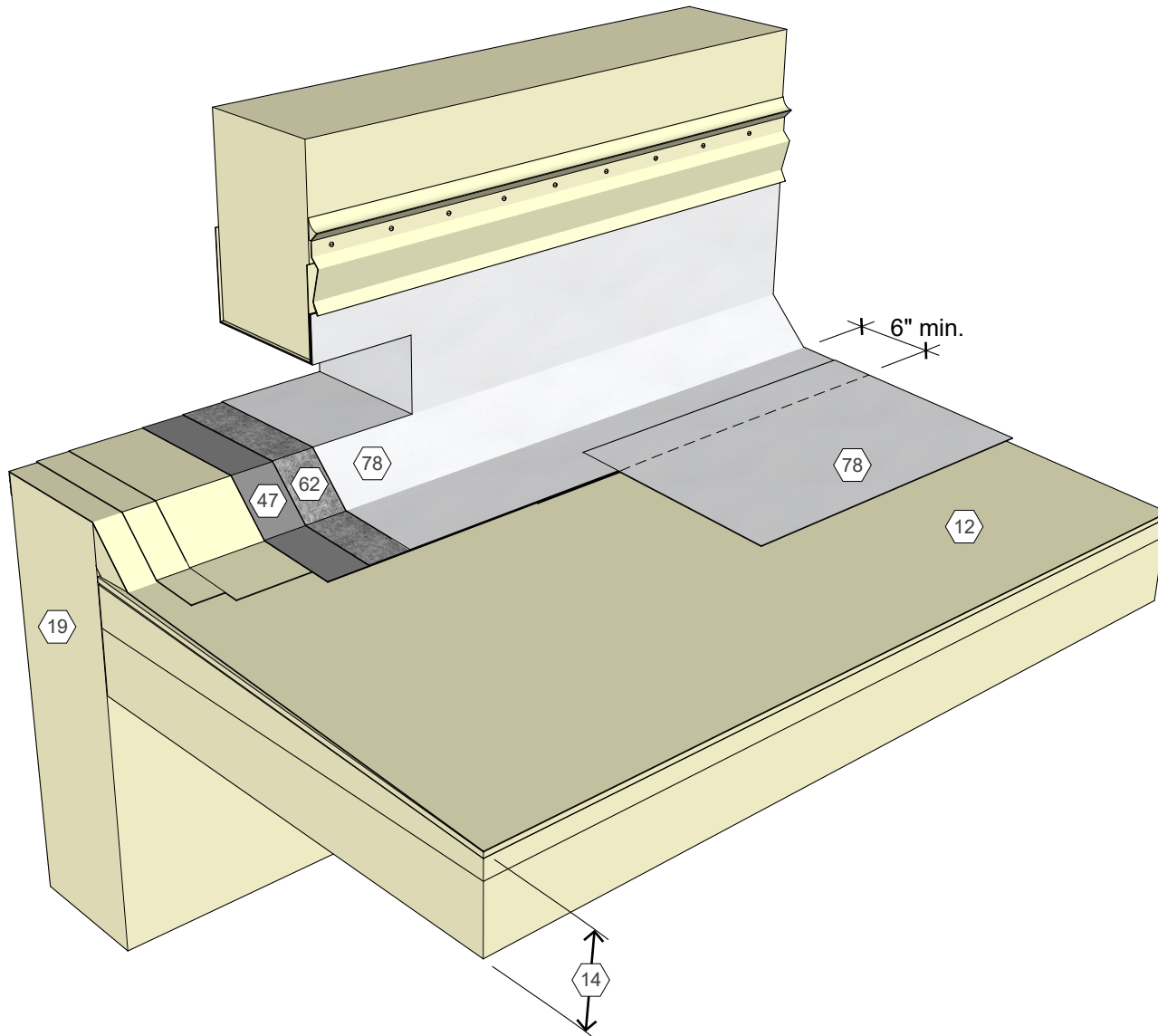


KEY NOTES

- 12 Existing MB or Smooth BUR
- 14 Existing Structural Deck and Insulation Assembly
- 19 Existing Wall Assembly
- 47 Geogard Seam Sealer
- 62 Permafab
- 78 Alumanation 301



Alumanation 301 Restoration Detail, MB or Smooth BUR, Overflow Scupper
Detail 19242